



**SF BIOTIC Series | High Payload Robot**  
**Model: SF210-K2650**

The SF BIOTIC is a high-load class of industrial robots with lightweight construction and excellent control technology that significantly increases productivity per unit time. In addition, powerful drives and a wide range of optional configurations ensure.

The SF BIOTIC series stands proud in the high-load industrial sector. CHAIFU industrial robots offer flexible cost savings and high-performance solutions. It is ideally suited for tasks with loads up to 210 kg.

For this reason, it is particularly suitable for handling, palletizing, submerged arc welding, picking/packaging, and assembly/distribution applications. The performance is excellent in terms of space, availability, repeatability, and repeatability.

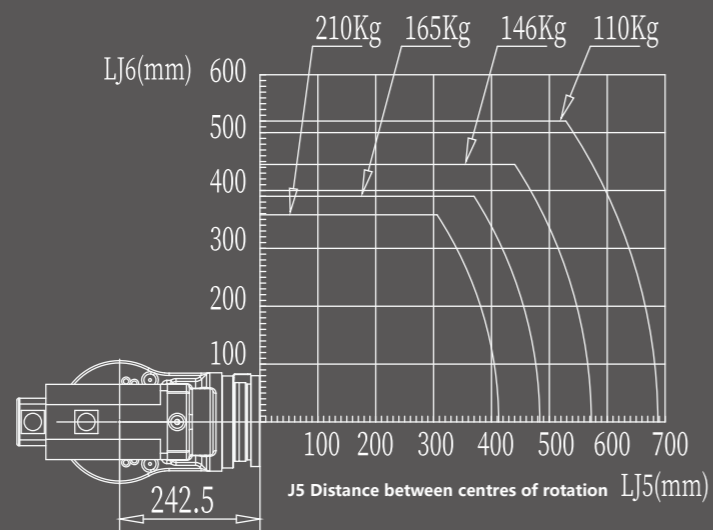
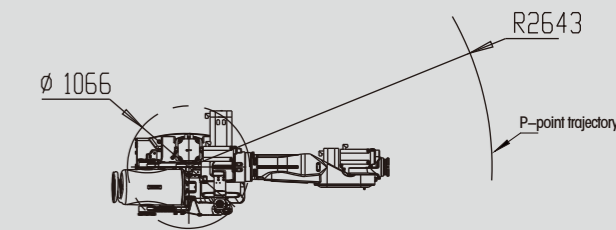
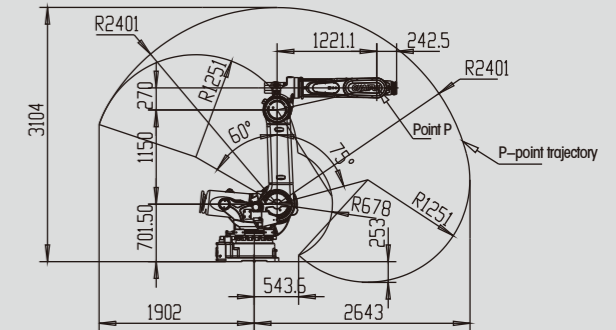
**Applications**



**SF210-K2650 Data Overview**

<b>Model</b>	SF210-K2650	
<b>Structure</b>	Vertically Articulated	
<b>Number of Axis</b>	6	
<b>Radius</b>	2643mm	
<b>Payload</b>	210kg	
<b>Repeatability</b>	±0.12mm	
<b>Drive Mode</b>	AC Servo Motor	
<b>Maximum Speed</b>	J1	110° /s
	J2	83° /s
	J3	99° /s
	J4	158° /s
	J5	206° /s
	J6	300° /s
<b>Range of Motion</b>	J1	±180°
	J2	+50° /-75°
	J3	+90° /-70°
	J4	±185°
	J5	±120°
	J6	±360°
<b>Allowable Moment</b>	J4	1301N.M
	J5	1301N.M
	J6	706N.M
<b>Allowable Inertia</b>	J4	138kg.m2
	J5	138kg.m2
	J6	70 kg.m2
<b>Protection Rating</b>	IP 65	
<b>Operating Conditions</b>	Temp.	0-45°C
	Humidity	Below 95%RH
	Vibration	Below 4.9m/s2
	Other	Eliminate Signal Noise
<b>Base Size</b>	750*520mm	
<b>Height</b>	2257.5mm	
<b>Weight</b>	1460KG	
<b>Mounting Positions</b>	Floor	
<b>Power Consumption</b>	7.5kVA	

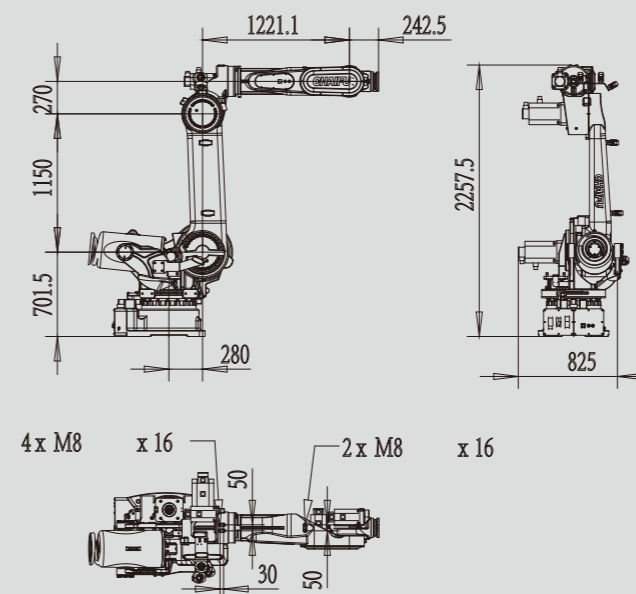
**SF210-K2650 Range of Motion**



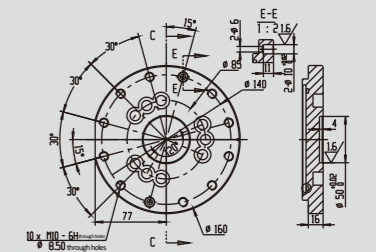
SF210-K2650 Wrist load torque chart

Note: The centre of gravity point of the load should be within the wrist torque diagram when in use

**External & Installation Dimensions**



**A-Way Diagram (End Flange Mounting Dimensions)**



**B-Way Diagram (Base Mounting Dimensions)**

