

SF ALPHTIC PA Series | Heavy Duty Robot Model: SF500-C3200 PA

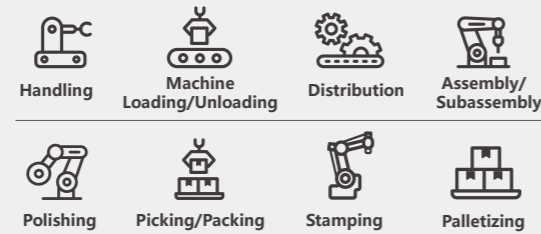
The SF ALPHTIC PA is the most powerful and technologically advanced heavy-duty robot, ideal for large, high-load applications, and its construction makes the SF ALPHTIC PA the perfect combination of power and technology.

The SF ALPHTIC PA is CHAIFU's heavy-duty robot perfectly matched to any application due to its ultra-high craftsmanship and rugged structural design. The powerful motors and gearboxes are designed to perform a wide range of heavy-duty tasks. The long working stroke of 3,121 mm allows it to fit comfortably in small work cells.

The three core components of the CHAIFU convince with their low cost, high efficiency, and low maintenance, even in heavy-duty applications.

All SF ALPHTIC PA series are equipped with LIKEPRECISION technology and the highest precision joint part reducer, RV Reducer, which enables the robot to take full advantage of its advantages even in high-speed operation.

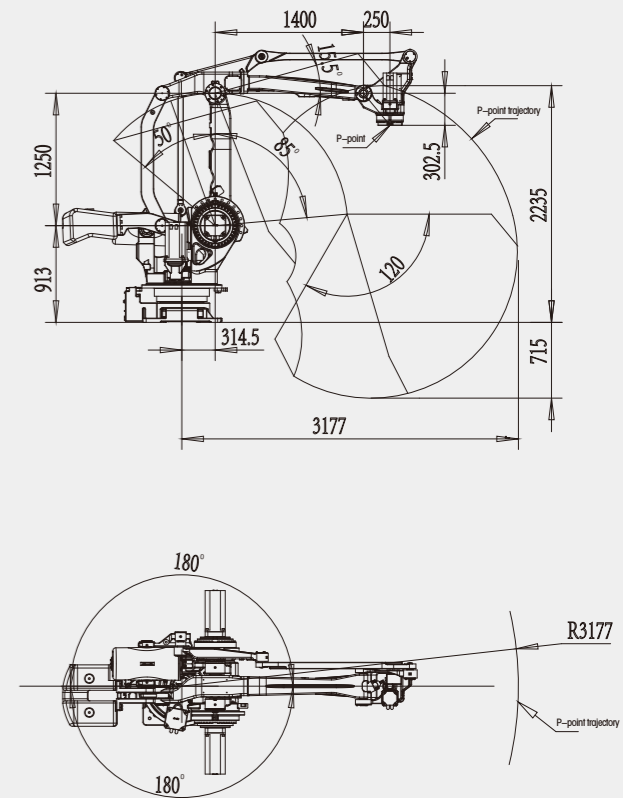
Applications



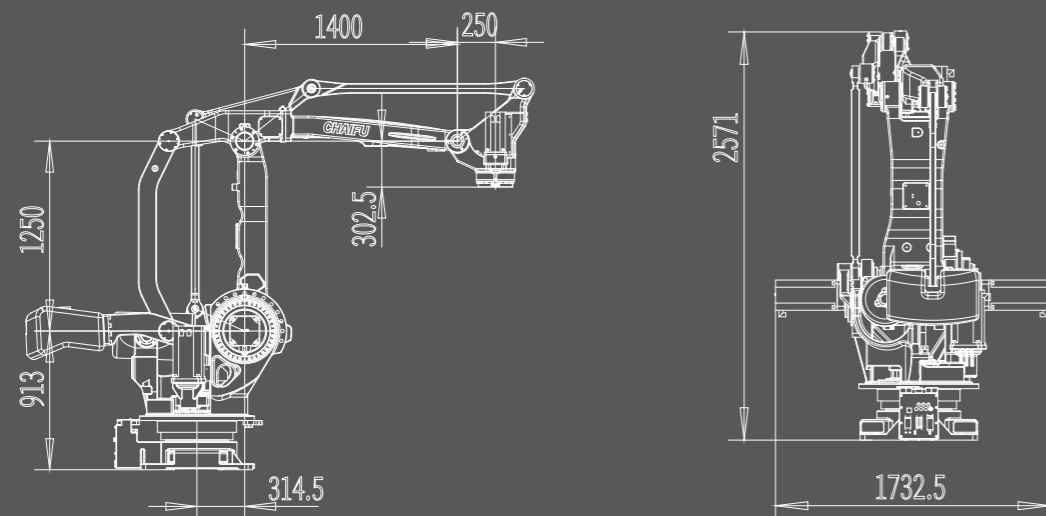
SF500-C3200 PA Data Overview

Model	SF500-C3200 PA	
Structure	Vertically Articulated	
Number of Axis	4	
Radius	3177mm	
Payload	500kg	
Repeatability	±0.3mm	
Drive Mode	AC Servo Motor	
Maximum Speed	J1	90°/s
	J2	90°/s
	J3	90°/s
	J4	125°/s
	J5	/
	J6	/
Range of Motion	J1	±180°
	J2	+50°/-85°
	J3	+10°/-113°
	J4	±360°
Allowable Moment	J4	2450N.m
	J5	/
	J6	/
Allowable Inertia	J4	90kg.m ²
	J5	/
	J6	/
Protection Rating	IP 65, Wrist IP 67	
Operating Conditions	Temp.	0-45°C
	Humidity	Below 95%RH
	Vibration	Below 4.9m/s2
	Other	Eliminate Signal Noise
Base Size	710*700mm	
Height	2463mm	
Weight	2810KG	
Mounting Positions	Floor	
Power Consumption	8kVA	

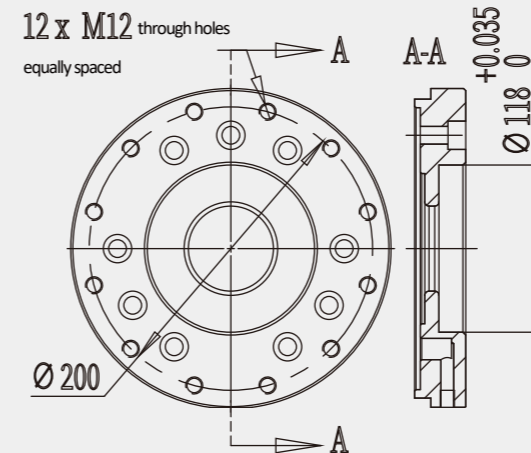
SF500-C3200 PA Range of Motion



External & Installation Dimensions



A-Way Diagram (End Flange Mounting Dimensions)



B-Way Diagram (Base Mounting Dimensions)

