



SF MIMETIC Series | Medium Payload Robot
Model: SF30-C1850

The SF MIMETIC is a medium payload industrial robot with a superior working range, advanced servo control technology, and an extremely rigid arm, significantly reducing cycle times and ensuring high productivity.

SF MIMETIC is a complete solution for medium payload class industrial robots to secure your future planning and production investment. From 20 kg up to 120 kg of fine load breakdown.

It is the perfect solution to ensure accuracy and production quality. Whether handling, machine loading/unloading, painting, stamping, palletizing, grinding, picking/packing, or assembly/distribution. In addition, you will have the freedom to choose the robot corresponding to your actual needs for greater efficiency and economic benefits.

All SF MIMETIC series are equipped with LIKEPRECISION technology, the ultra-precise RV Precision Gearbox, which enables the robot to take full advantage of its advantages even at high operating speeds.

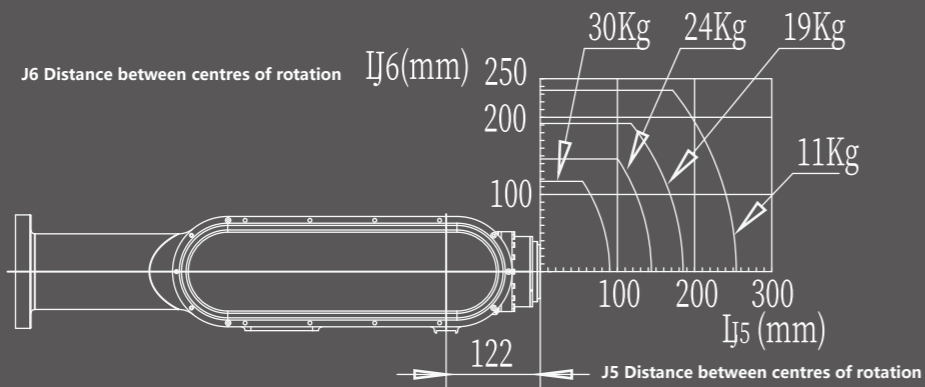
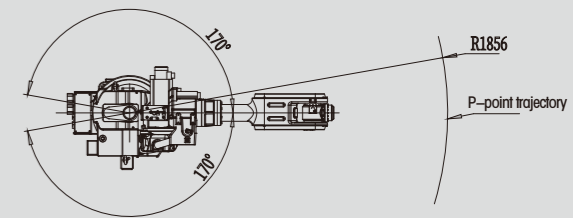
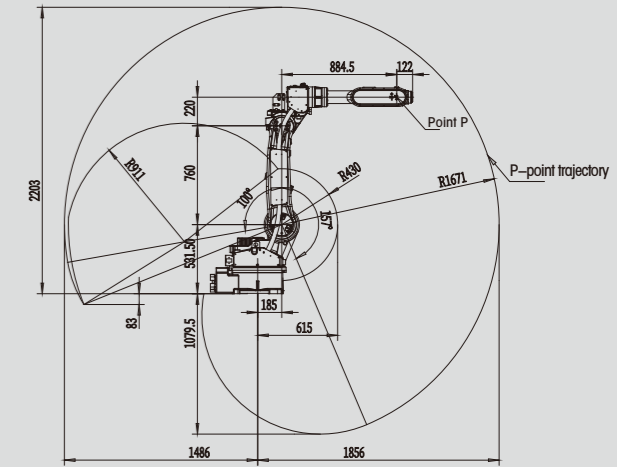
Applications



SF30-C1850 Data Overview

Model	SF30-C1850	
Structure	Vertically Articulated	
Number of Axis	6	
Radius	1856mm	
Payload	30kg	
Repeatability	±0.06mm	
Drive Mode	AC Servo Motor	
Maximum Speed	J1	170° /s
	J2	170° /s
	J3	170° /s
	J4	350° /s
	J5	230° /s
	J6	230° /s
Range of Motion	J1	±175°
	J2	+68° /-150°
	J3	+150° /-75°
	J4	±178°
	J5	+125° /-125°
	J6	±720°
Allowable Moment	J4	42N.M
	J5	42N.M
	J6	23N.M
Allowable Inertia	J4	1.26kg.m2
	J5	1.26kg.m2
	J6	0.49kg.m2
Protection Rating	IP 65	
Operating Conditions	Temp.	0-45°C
	Humidity	Below 95%RH
	Vibration	Below 4.9m/s2
	Other	Eliminate Signal Noise
Base Size	396*396mm	
Height	1602.5mm	
Weight	228KG	
Mounting Positions	Any angle	
Power Consumption	3.8kVA	

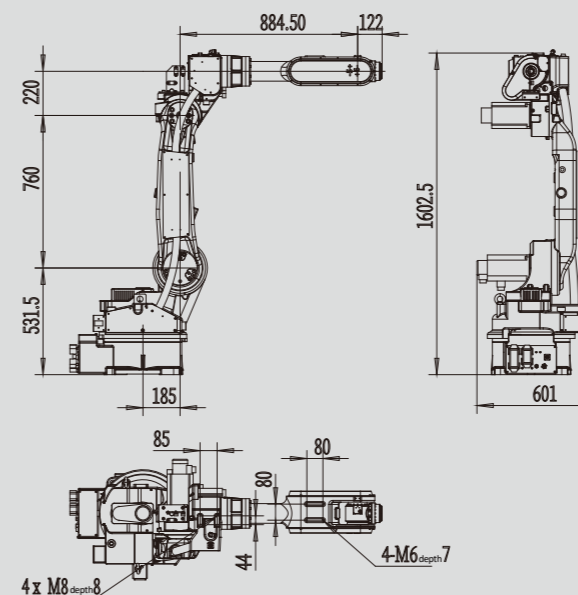
SF30-C1850 Range of Motion



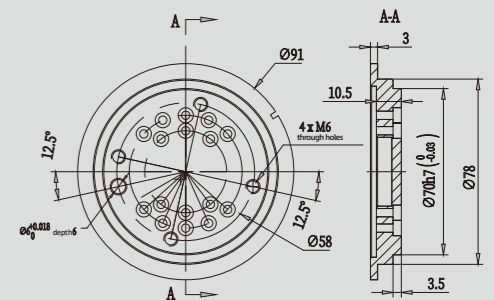
SF30-C1850 Wrist load torque chart

Note: The centre of gravity point of the load should be within the wrist torque diagram when in use

External & Installation Dimensions



A-Way Diagram (End Flange Mounting Dimensions)



B-Way Diagram (Base Mounting Dimensions)

