



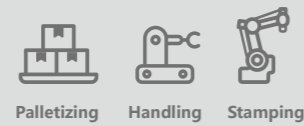
**SF PRESS Series | Stamping Press Robot**  
**Model: SF25-C1900**

The SF PRESS is designed for high speed press handling. With its high precision and unmatched productivity, the SF PRESS has become the best productivity tool for press handling loading and palletizing.

The SF PRESS pin optimizes the efficiency and productivity of the overall press shop, with different combinations for different applications and a solid foundation for every press command due to LIKEHEATTREATMENT thermal technology.

All SF PRESS series are equipped with LIKEPRECISION technology, the ultra-precise RV Precision Gearbox, which allows the robot to take full advantage of its advantages even at high operating speeds.

**Applications**

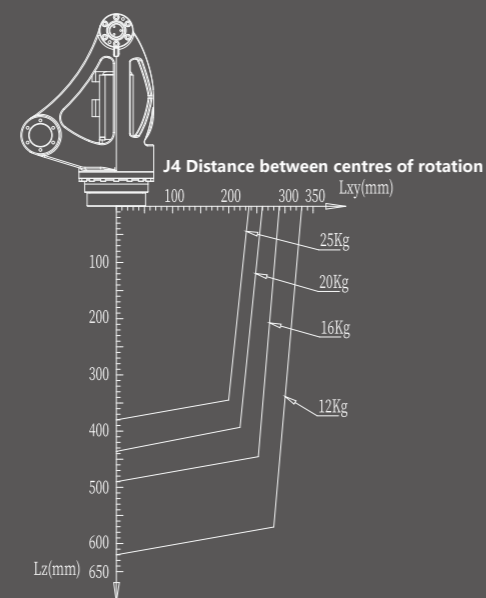
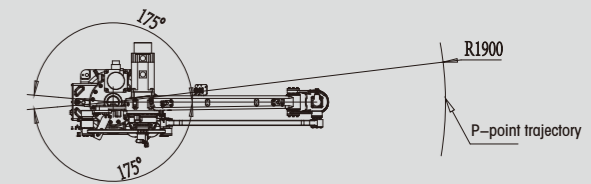
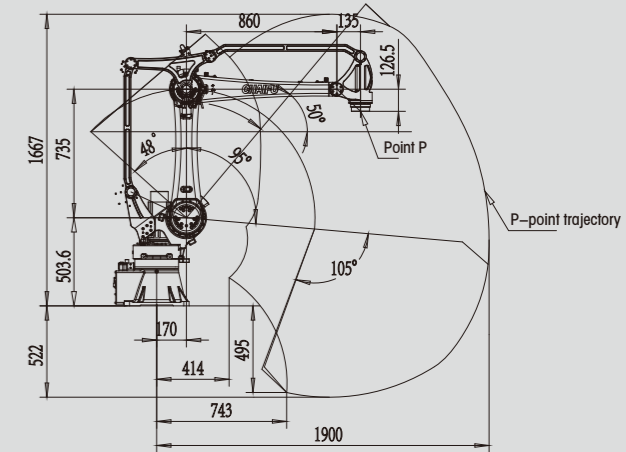


Palletizing Handling Stamping

**SF25-C1900 Data Overview**

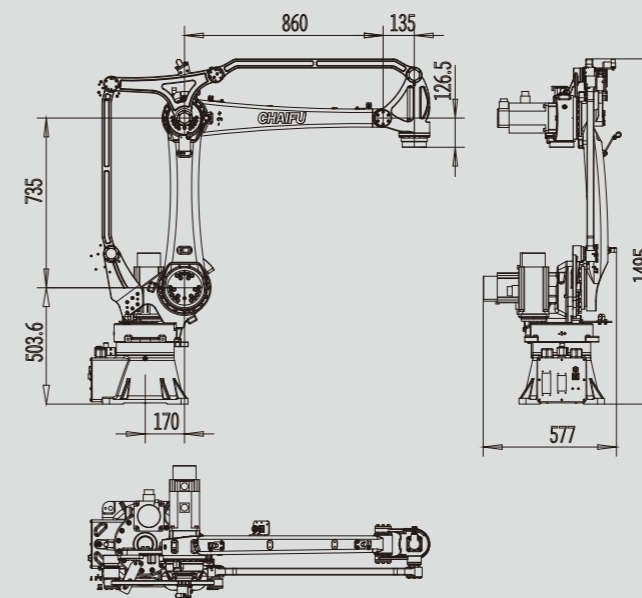
|                             |                        |                        |
|-----------------------------|------------------------|------------------------|
| <b>Model</b>                | SF25-C1900             |                        |
| <b>Structure</b>            | Vertically Articulated |                        |
| <b>Number of Axis</b>       | 4                      |                        |
| <b>Radius</b>               | 1900mm                 |                        |
| <b>Payload</b>              | 25kg                   |                        |
| <b>Repeatability</b>        | ±0.08mm                |                        |
| <b>Drive Mode</b>           | AC Servo Motor         |                        |
| <b>Maximum Speed</b>        | J1                     | 130° /s                |
|                             | J2                     | 107° /s                |
|                             | J3                     | 135° /s                |
|                             | J4                     | 175° /s                |
|                             | J5                     | /                      |
|                             | J6                     | /                      |
| <b>Range of Motion</b>      | J1                     | ±175°                  |
|                             | J2                     | +48° /-95°             |
|                             | J3                     | +50° /-75°             |
|                             | J2 + J3                | -110°≤J2+J3≤+50°       |
| <b>Allowable Moment</b>     | J4                     | 882N.M                 |
|                             | J5                     | /                      |
|                             | J6                     | /                      |
| <b>Allowable Inertia</b>    | J4                     | 0.62kg.m2              |
|                             | J5                     | /                      |
|                             | J6                     | /                      |
| <b>Protection Rating</b>    | IP 65, Wrist IP 67     |                        |
| <b>Operating Conditions</b> | Temp.                  | 0-45°C                 |
|                             | Humidity               | Below 95%RH            |
|                             | Vibration              | Below 4.9m/s2          |
|                             | Other                  | Eliminate Signal Noise |
| <b>Base Size</b>            | 370*370mm              |                        |
| <b>Height</b>               | 1495mm                 |                        |
| <b>Weight</b>               | 262.5KG                |                        |
| <b>Mounting Positions</b>   | Any angle              |                        |
| <b>Power Consumption</b>    | 3kVA                   |                        |

**SF25-C1900 Range of Motion**

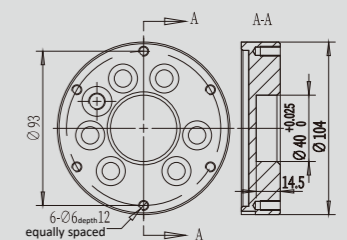


SF25-C1900 Wrist load torque chart

**External & Installation Dimensions**



**A-Way Diagram (End Flange Mounting Dimensions)**



**B-Way Diagram (Base Mounting Dimensions)**

