



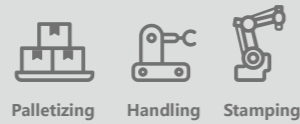
SF PRESS Series | Stamping Press Robot
Model: SF25-C1760

The SF PRESS is designed for high speed press handling. With its high precision and unmatched productivity, the SF PRESS has become the best productivity tool for press handling loading and palletizing.

The SF PRESS pin optimizes the efficiency and productivity of the overall press shop, with different combinations for different applications and a solid foundation for every press command due to LIKEHEATTREATMENT thermal technology.

All SF PRESS series are equipped with LIKEPRECISION technology, the ultra-precise RV Precision Gearbox, which allows the robot to take full advantage of its advantages even at high operating speeds.

Applications

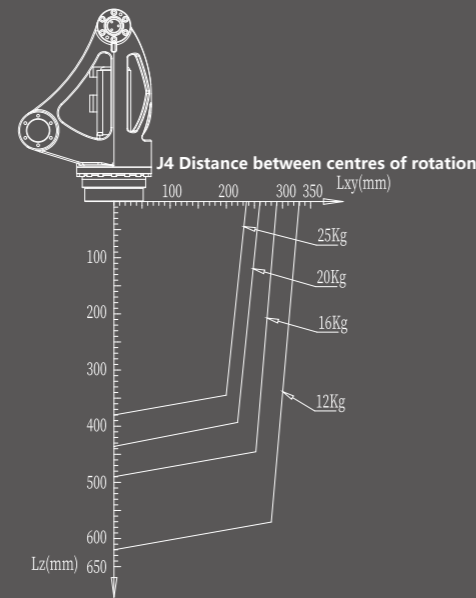
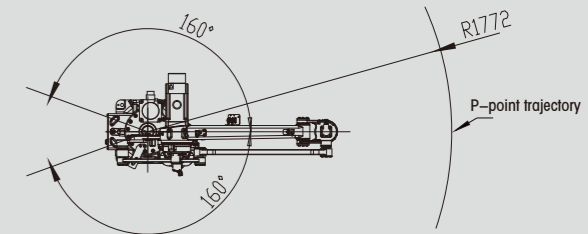
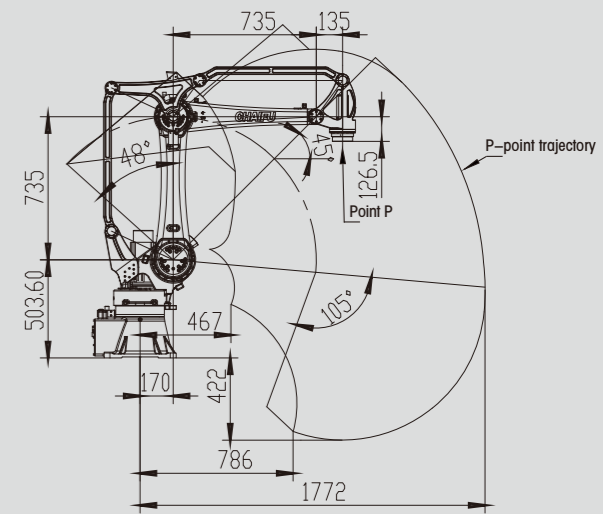


Palletizing Handling Stamping

SF25-C1760 Data Overview

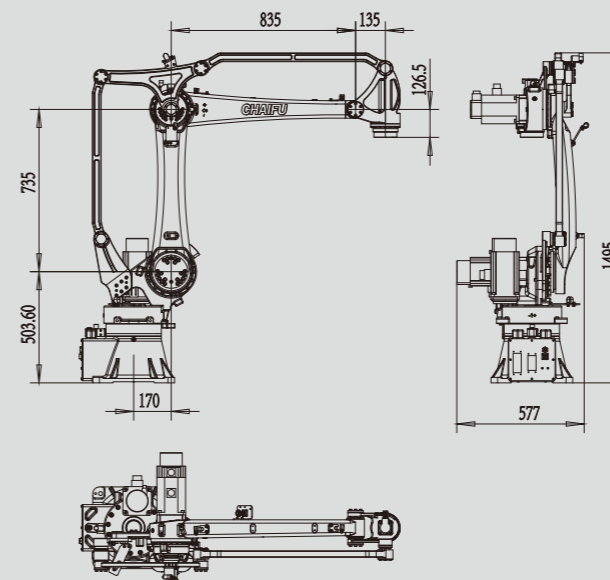
Model	SF25-C1760	
Structure	Vertically Articulated	
Number of Axis	4	
Radius	1772mm	
Payload	25kg	
Repeatability	±0.07mm	
Drive Mode	AC Servo Motor	
Maximum Speed	J1	130° /s
	J2	107° /s
	J3	135° /s
	J4	175° /s
	J5	/
	J6	/
Range of Motion	J1	±175°
	J2	+48° /-95°
	J3	+80° /-75°
	J4	±360°
	J2 + J3	-110°≤J2+J3≤+40°
Allowable Moment	J4	882N.M
	J5	/
	J6	/
Allowable Inertia	J4	0.62kg.m2
	J5	/
	J6	/
Protection Rating	IP 65, Wrist IP 67	
Operating Conditions	Temp.	0-45°C
	Humidity	Below 95%RH
	Vibration	Below 4.9m/s2
Other	Eliminate Signal Noise	
Base Size	370*370mm	
Height	1458mm	
Weight	260KG	
Mounting Positions	Any angle	
Power Consumption	3kVA	

SF25-C1760 Range of Motion

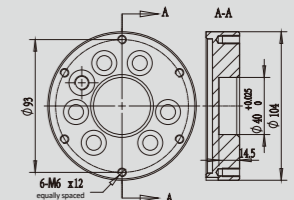


SF25-C1760 Wrist load torque chart

External & Installation Dimensions



A-Way Diagram (End Flange Mounting Dimensions)



B-Way Diagram (Base Mounting Dimensions)

