

SF ALPHTIC Series | Heavy-Duty Robot

Model: SF2400-C3760

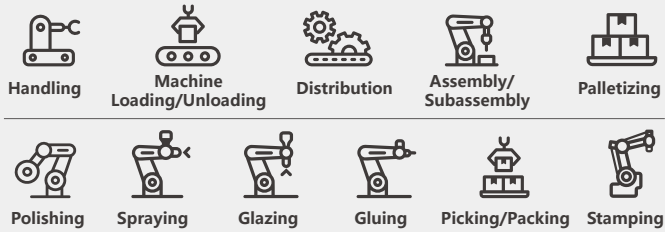
The SF ALPHTIC is the most powerful and technologically advanced heavy-duty robot, ideal for large, high-load applications, and its construction makes the SF ALPHTIC the perfect combination of power and technology.

The SF ALPHTIC is CHAIFU's heavy-duty robot perfectly matched to any application due to its ultra-high craftsmanship and rugged structural design. The powerful motors and gearboxes are designed to perform a wide range of heavy-duty tasks. The long working stroke of 3762.9 mm allows it to fit comfortably in small work cells.

The three core components of the CHAIFU convince with their low cost, high efficiency, and low maintenance, even in heavy-duty applications.

All SF ALPHTIC series are equipped with LIKEPRECISION technology and the highest precision joint part reducer, RV Reducer, which enables the robot to take full advantage of its advantages even in high-speed operation.

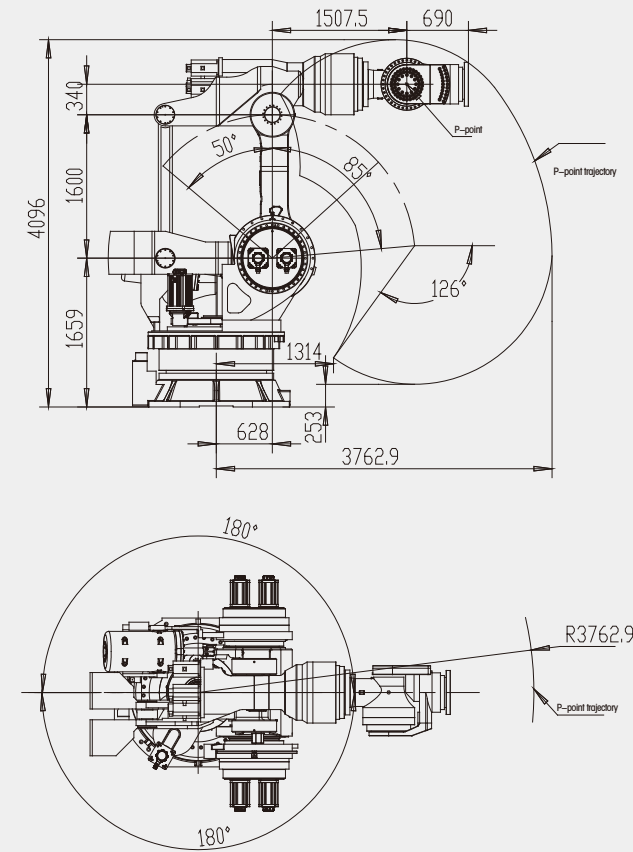
Applications



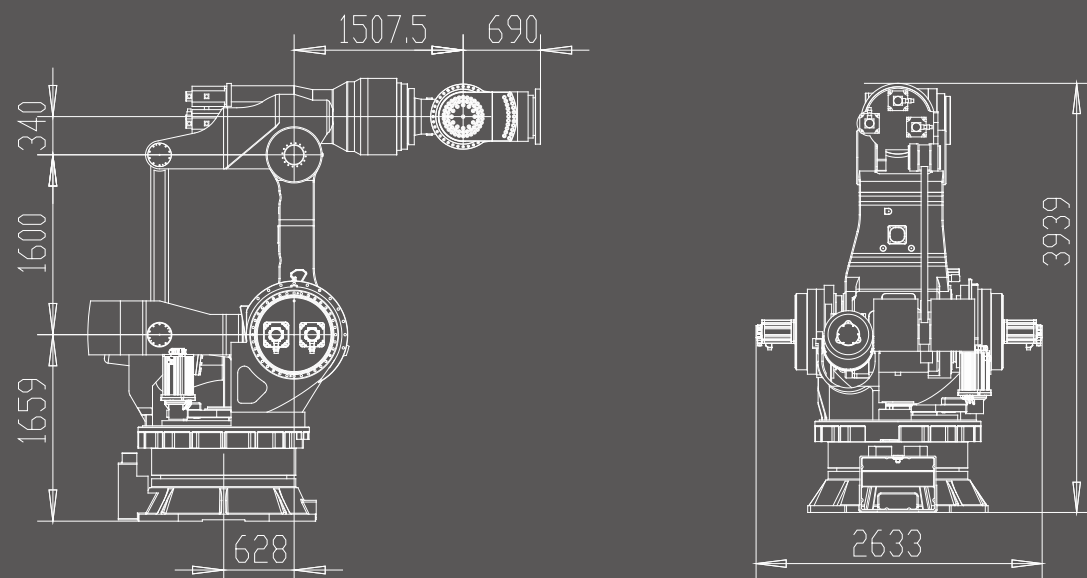
SF2400-C3760 Data Overview

Model	SF2400-C3760	
Structure	Vertically Articulated	
Number of Axis	6	
Radius	3762.9mm	
Payload	2400kg	
Repeatability	±0.3mm	
Drive Mode	AC Servo Motor	
Maximum Speed	J1	20°/s
	J2	12°/s
	J3	12°/s
	J4	19°/s
	J5	19°/s
	J6	40°/s
Range of Motion	J1	±180°
	J2	+50°/-85°
	J3	-120°/+20°
	J4	±360°
	J5	±115°
	J6	±360°
Allowable Moment	J4	29380N·m
	J5	29380N·m
	J6	8815N·m
Allowable Inertia	J4	7560kg·m ²
	J5	7560kg·m ²
	J6	5350kg·m ²
Protection Rating	IP 65, Wrist IP 67	
Operating Conditions	Temp.	0-45°C
	Humidity	Below 95%RH
	Vibration	Below 4.9m/s ²
	Other	Eliminate Signal Noise
Base Size	1660*1580mm	
Height	3939mm	
Weight	11390KG	
Mounting Positions	Floor	
Power Consumption	20.5kVA	

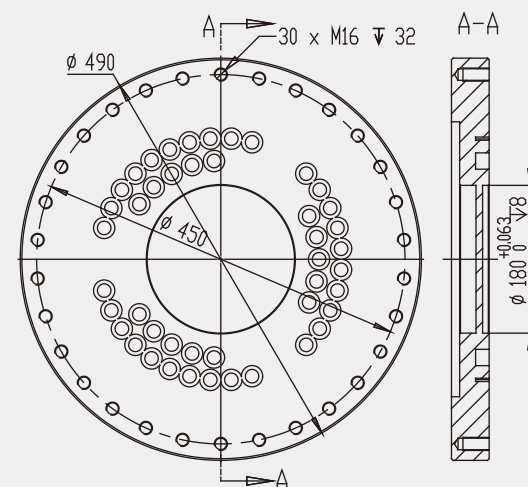
SF2400-C3760 Range of Motion



SF2400-C3760 External & Installation Dimensions



A-Way Diagram (End Flange Mounting Dimensions)



B-Way Diagram (Base Mounting Dimensions)

