

SF ALPHTIC PA Series | Heavy Duty Robot Model: SF1200-C4360 PA

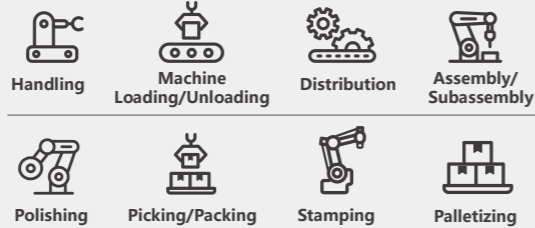
The SF ALPHTIC PA is the most powerful and technologically advanced heavy-duty robot, ideal for large, high-load applications, and its construction makes the SF ALPHTIC PA the perfect combination of power and technology.

The SF ALPHTIC PA is CHAIFU's heavy-duty robot perfectly matched to any application due to its ultra-high craftsmanship and rugged structural design. The powerful motors and gearboxes are designed to perform a wide range of heavy-duty tasks. The long working stroke of 3,121 mm allows it to fit comfortably in small work cells.

The three core components of the CHAIFU convince with their low cost, high efficiency, and low maintenance, even in heavy-duty applications.

All SF ALPHTIC PA series are equipped with LIKEPRECISION technology and the highest precision joint part reducer, RV Reducer, which enables the robot to take full advantage of its advantages even in high-speed operation.

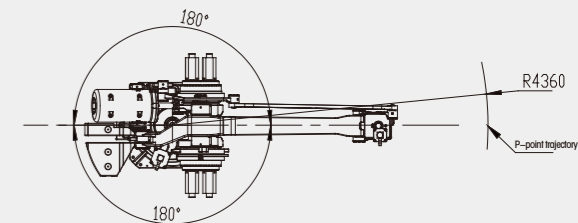
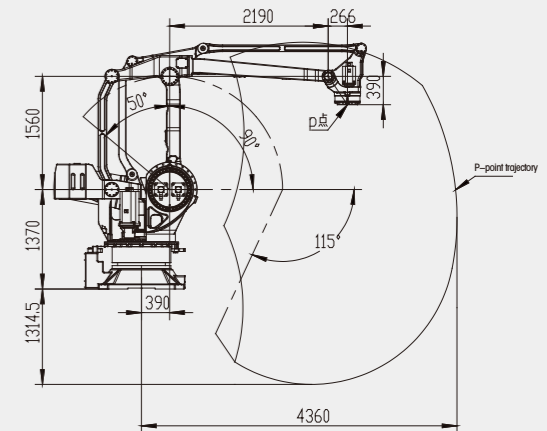
Applications



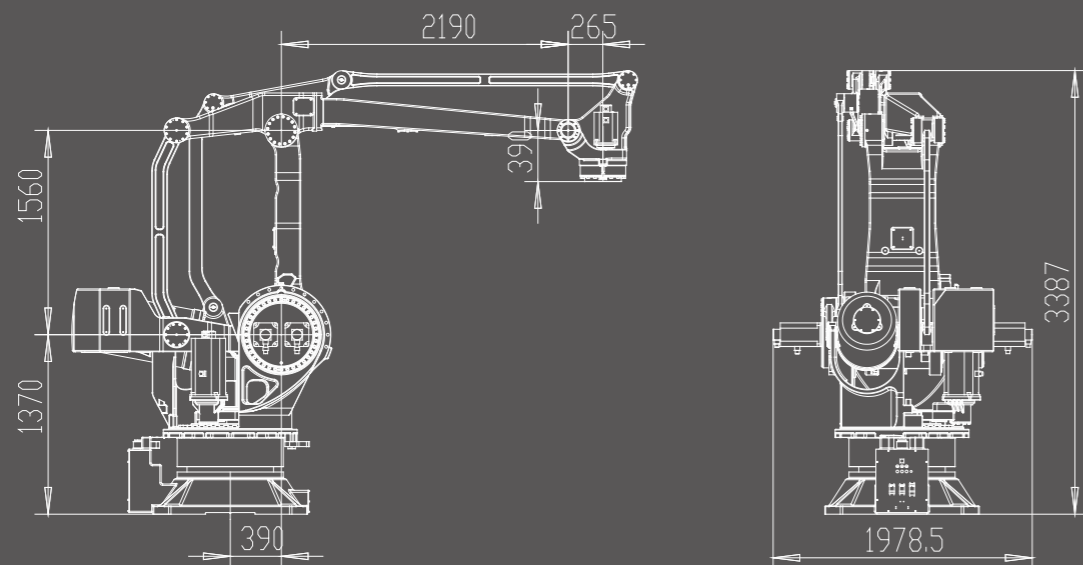
SF1200-C4360 PA Data Overview

Model	SF1200-C4360 PA	
Structure	Vertically Articulated	
Number of Axis	4	
Radius	4360mm	
Payload	1200kg	
Repeatability	±0.5mm	
Drive Mode	AC Servo Motor	
Maximum Speed	J1	45°/s
	J2	30°/s
	J3	30°/s
	J4	70°/s
	J5	/
	J6	/
Range of Motion	J1	±180°
	J2	+50°/-90°
	J3	+20°/-115°
	J4	±360°
Allowable Moment	J4	4860N.m
	J5	/
	J6	/
Allowable Inertia	J4	2180kg.m ²
	J5	/
	J6	/
Protection Rating	IP 65, Wrist IP 67	
Operating Conditions	Temp.	0-45°C
	Humidity	Below 95%RH
	Vibration	Below 4.9m/s ²
	Other	Eliminate Signal Noise
Base Size	1180*1180mm	
Height	3387mm	
Weight	6302KG	
Mounting Positions	Floor	
Power Consumption	14.5kVA	

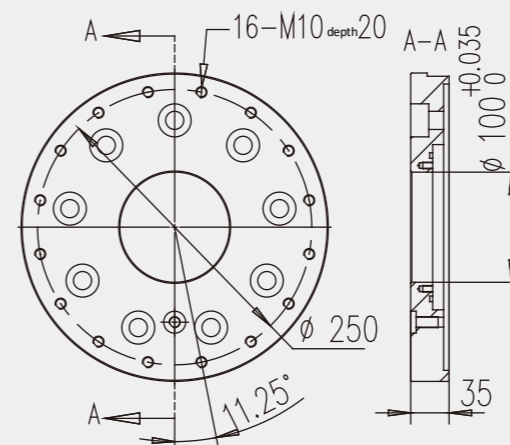
SF1200-C4360 PA Range of Motion



External & Installation Dimensions



A-Way Diagram (End Flange Mounting Dimensions)



B-Way Diagram (Base Mounting Dimensions)

